



DATE:

COMPANY NAME:

ROOM:

CLIENT NAME:

DIMENSIONS:

A1 =

A2 =

B1 =

B2 =

C1 =

C2 =

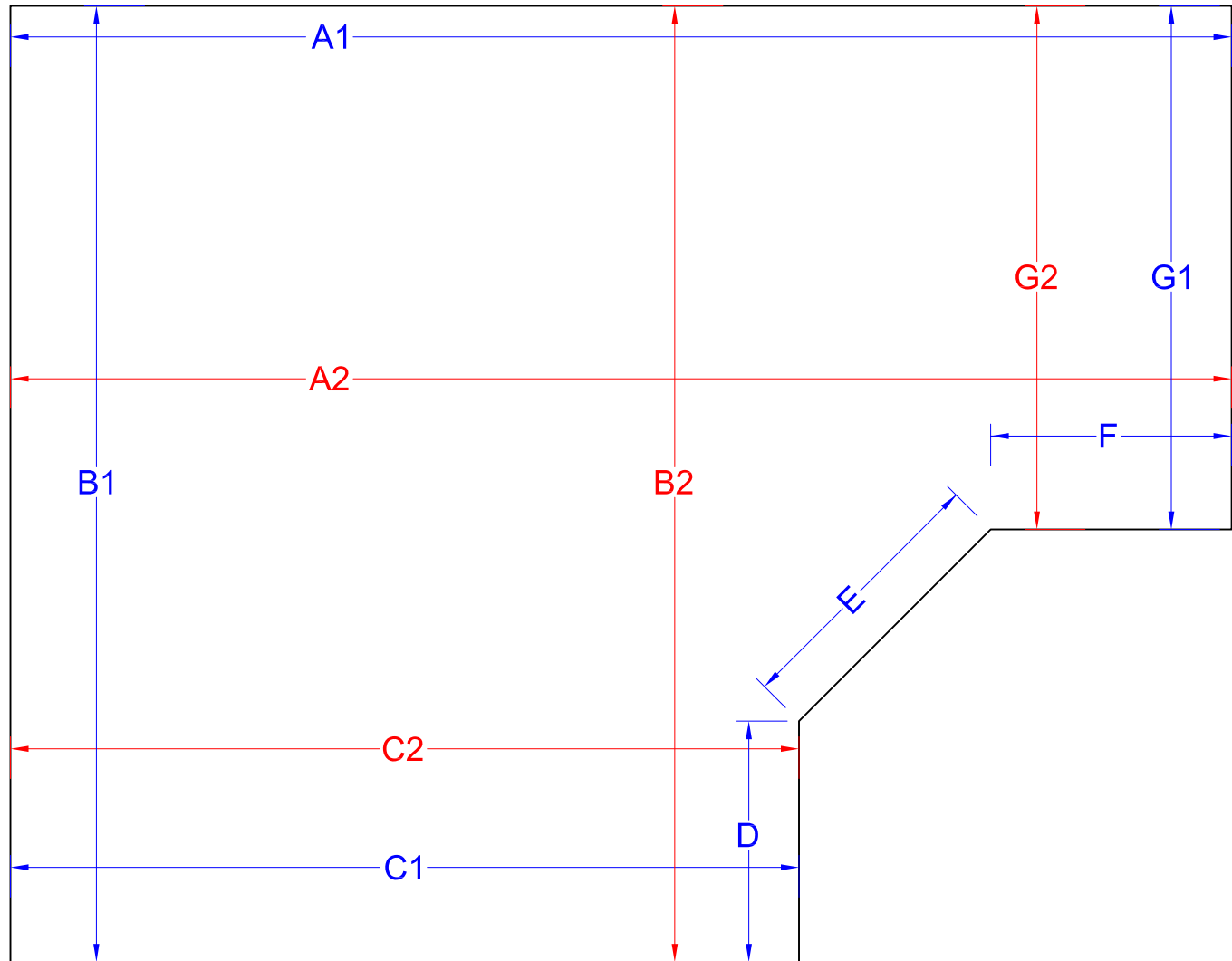
D =

E =

F =

G1 =

G2 =



MEASURING DIAGRAM 8A

LEGEND:

BLUE = Minimum Dimensions Required for Quoting or Production
 RED = Additional Dimensions Needed for Complete Accuracy

NOTES: